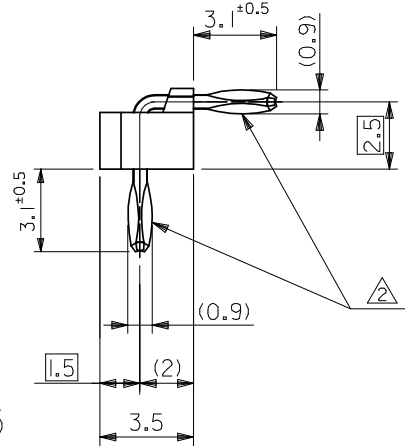
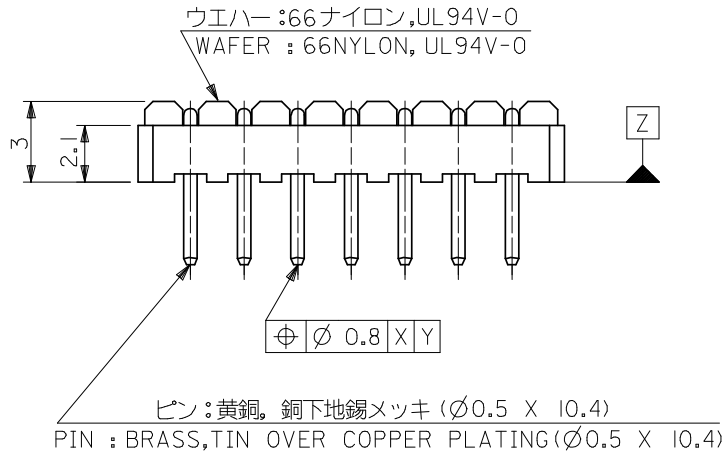


基板取付推奨レイアウト
RECOMMENDED POSITIONING BETWEEN P.C. BOARD



注記:
NOTES:

- △ 3極 ~ 12極: $\phi 0.8^{+0.05}$
3CKTS ~ 12CKTS: $\phi 0.8^{+0.05}$
- △ 13極 ~ 20極: $\phi 0.85^{+0.05}$
13CKTS ~ 20CKTS: $\phi 0.85^{+0.05}$
- △ キングは 全ピン交互に設ける。
SET KINK ALTERNATELY TO ALL CIRCUITS.

35.9	32	39-27-0174	5550-17A	17
29.9	26	39-27-0144	5550-14A	14
19.9	10	39-27-0064	5550-06A	6
7.9	4	39-27-0034	5550-03A	3
(B)	A	EDP NO.	ENG.NO.	極数 CKT.

REVISED EC NO: J2008-3104 DRW: NAKAMURAA 2008/04/01 CHKD: T. HARUYAMA 2008/04/22 APPR: NUKITA 2008/04/22	GENERAL TOLERANCES (UNLESS SPECIFIED)		DIMENSION STYLE MM ONLY	SCALE 5:1	DESIGN UNITS METRIC	THIRD ANGLE PROJECTION
	10 UNDER	± 0.2	DRAWN BY S. MATSUZAKI	DATE '95/9/16	TITLE 2.0 B/B DIP	
	10 OVER 30 UNDER	± 0.25	CHECKED BY Y. M	DATE '95/9/16	APPROVED BY M. FUKUSHIMA	
	30 OVER	± 0.3	DATE '95/9/16	MATERIAL NO.		DOCUMENT NO. SD-5550-001
	ANGULAR	$\pm 3^\circ$	DRAFT WHERE APPLICABLE MUST REMAIN WITHIN DIMENSIONS		SIZE A3	THIS DRAWING CONTAINS INFORMATION THAT IS PROPRIETARY TO MOLEX INCORPORATED AND SHOULD NOT BE USED WITHOUT WRITTEN PERMISSION